

Specification sheet

CF 300

FA 4X2 Rigid



ENGINES

CF 300 MX-11 (220 kW / 299 hp)

CF 340 MX-11 (251 kW / 341 hp)

GVM¹⁾

18000 kg

GCM²⁾

38000 kg

Max. front 8000 kg

Max. rear 10000 kg

CAB EXTERIOR

Day Cab with galvanised steel bumper, tinted glass and electric window openers. Main mirrors and wide angle mirrors electrically heated. Cab width 2300 mm.; LED daytime running lights; Manually adjustable main mirrors; No front view mirror.

Optional

02106 Sleeper Cab	09983 Fog lights
01137 Space Cab	09984 Fog lights and cornering lights
01226 Cab suspension air	06593 Skylights
01174 External sun visor green translucent	06628 One hazard beacon light at co-driver side
00847 Air horns, single set	06627 One hazard beacon light at driver side
09006 Air horns, double set	06629 Two hazard beacon lights
08020 LED head lights	

AERODYNAMICS

Optional

06776 Adjustable roof air deflector	04906 Side collars, one side hinged
--	--

COLOURS

Cab colour H3279 Brilliant White; Head lamp panel and bumper: Brilliant White; Chassis colour grey..

Optional

06485 Head lamp panel and bumper: cab colour	09933 Head lamp panel and bumper: Stone Grey
---	---

CAB INTERIOR

Cab interior trim colour Dark Sand; Cab interior decoration Black Rock; Driver seat: Comfort Air; Co-driver seat: basic; Automatic Temperature Control and airco; Pollen filter; Roof hatch glass, manual control.

Optional

09271 Steering wheel, leather, colour black	00967 Seat belts red
07733 Driver seat: Luxury Air	02117 Third seat
07736 Driver seat: Super Air	06539 Refrigerator
07737 Driver seat: Xtra Leather Air	06783 Lower bunk foam mattress
07741 Co-driver seat: Comfort Air	06784 Lower bunk mattress Xtra Comfort
07743 Co-driver seat: Luxury Air	06676 PL light in cab ceiling
07746 Co-driver seat: Super Air	06970 Automatic Cab Climate Control
07748 Co-driver seat: Xtra Leather Air	

COMMUNICATION AND DRIVING MANAGEMENT

Tachograph digital, VDO 1B; Speed limiter setting 85/90 km/h; Antennas: radio, 2x cellular, GNSS; Cruise control.

Optional

09681 Preparation for Maut	08023 Adaptive Cruise Control with FCW and AEBS-3
08450 Luxury speaker system with 6 speakers	06991 Predictive Cruise Control
07117 Radio/USB player, 2 speakers	06992 Predictive Cruise Control lite

SAFETY AND SECURITY

No Lane Departure Warning System; Vehicle Stability Control (VSC); Basic engine immobiliser system.

Optional

08631 Air bag (driver) and 2 seat belt tensioners	09827 Side camera system
09828 Front camera system	01725 Reverse warning

SUSPENSION AND AXLES

Front axle load 8.00 t; Rear: 13.00 t, air suspension, SR1344.

Optional

06257 Front axle load 9.00 t	01603 Rear springs parabolic
04057 Rear axle HR1356	08191 Axle load monitoring
04588 Rear axle SR1347	

WHEELS AND TYRES

Front axle(s): 315/70R22.5; Driven rear axle(s): 315/70R22.5; Disc wheels steel, silvergrey; No wheel protection rings.

Optional

16152 Tyre makes and types

DRIVELINE

Engine MX-11, 6 cylinder diesel engine, 10.8 litres. Output 220 kW (299 hp) at 1675 rpm. Max. torque 1350 Nm at 900-1400 rpm.; Exhaust emission Euro 6; Engine idle shutdown, 5 minutes; Automated gearbox, TraXon, 12 speeds; Gearbox ratio 12.92-0.77; Rear axle ratio 4.11.

BRAKE SYSTEM

Ventilated disc brakes front and rear. Dual circuit air system with electronic control (EBS). Twin cylinder air compressor with heated dryer and economy mode..

Optional

09921 MX Engine Brake	04901 Spring brake cylinders on the first front axle
02715 ZF Intarder	

CHASSIS

Wheelbase 4.00 m / rear overhang 1.70 m; Side member height 310 mm; Standard component location; Exhaust pipe horizontal, low; Aluminium fuel tank 340 l, height 620 mm; Tank for AdBlue® 45 l, left-hand side chassis; Front underrun protection (FUP); Spray suppression.

Optional

06611 Exhaust pipe vertical, high	03323 Rear light with LEDs
07071 Spare wheel carrier right-hand side	

DRAWBAR AND TRAILER EQUIPMENT

Closing member D-value = 0kN.

Optional

07033 Trailer coupling Ringfeder D=13.7	08027 Trailer coupling Rockinger D=20.0
07034 Trailer coupling Ringfeder D=20.0	07029 D-value cross member D=13.7
08026 Trailer coupling Rockinger D=13.0	07032 D-value cross member D=20

BODIES AND PREPARATIONS FOR BODYING

Application connector on the cab front.

POWER TAKE-OFF (PTO)

Optional

16148 PTO types and positions

24V POWER SUPPLY

Alternator 80 A, batteries 2x 140 Ah..

Optional

06460 Alternator 120 A	07671 Batteries 2x210Ah AGM
08775 Alternator 150 A	C-type
08797 Batteries 2x175Ah	06440 Batteries 2x230Ah

GVM AND GCM

Chassis weight related technical GVM max 20500 kg; Driveline related max GCM 38000 kg class 2.

APPLICATION CONDITIONS

Cyclonic air intake behind the cab.

SERVICE AND MAINTENANCE

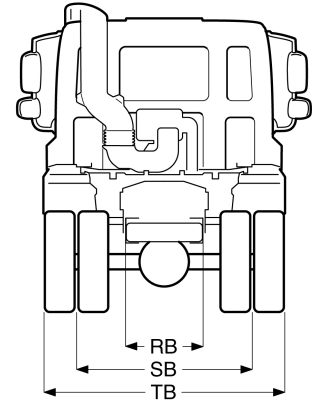
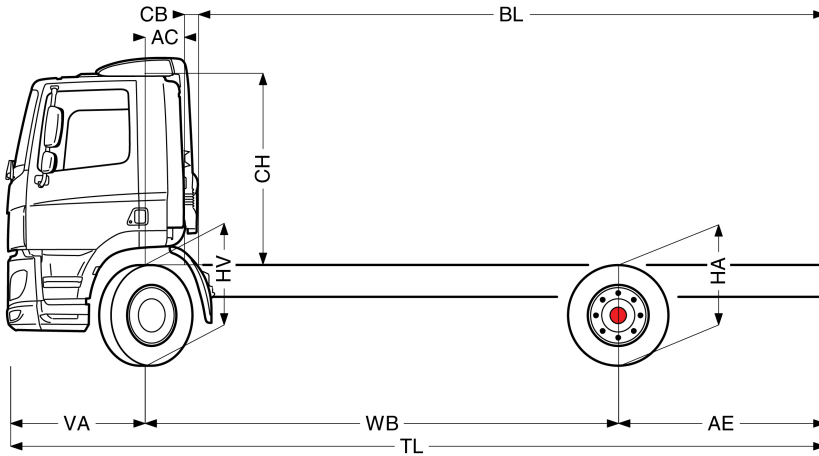
Standard Warranty takes care of 1 year complete vehicle as supplied by the OEM (excl. real wear parts), 2nd year driveline and 1st year breakdown.; ITS service.



Go to [DAF.com](https://www.daf.com) to configure your own perfect DAF.

CF 300

FA 4X2 Rigid



	Wheelbase - AE		Unladen weight ⁹⁾			Gross Carrying Capacity			Variable dimensions									
	WB	AE ⁹⁾	Front	Rear	Total	Front	Rear	Total	AC	CB ⁶⁾	CH ⁷⁾	BL ⁸⁾	BL	TL	HA ⁹⁾	HA ¹⁰⁾	TK ¹¹⁾	TW ¹²⁾
DAY CAB	4,00	1,70	4782	1932	6714	3218	8068	11286	0,39	0,18	1,94	5,00	5,28	7,07	1,02	0,99	14,01	15,37
	4,20	1,80	4780	1963	6744	3220	8037	11256	0,39	0,18	1,94	5,29	5,60	7,37	1,02	0,99	14,53	15,90
	4,50	1,95	4785	2017	6802	3215	7983	11198	0,39	0,18	1,94	5,76	6,07	7,82	1,02	0,99	15,31	16,69
	4,70	2,05	4738	1985	6722	3262	8015	11278	0,39	0,18	1,94	6,04	6,37	8,12	1,02	0,99	15,83	17,22
	4,90	2,15	4736	2009	6744	3264	7991	11256	0,39	0,18	1,94	6,34	6,68	8,42	1,02	0,99	16,35	17,75
	5,10	2,30	4730	2033	6763	3270	7967	11237	0,39	0,18	1,94	6,65	7,00	8,77	1,02	0,99	16,87	18,28
SLEEPER CAB	5,40	2,40	4779	2129	6908	3221	7871	11092	0,39	0,18	1,94	7,11	7,48	9,17	1,02	0,99	17,66	19,07
	5,70	2,65	4787	2186	6973	3213	7814	11027	0,39	0,18	1,94	7,55	7,96	9,72	1,02	0,99	18,44	19,86
	4,00	1,70	4829	1945	6773	3171	8055	11227	0,82	0,16	1,94	4,20	4,48	7,07	1,02	0,99	14,01	15,37
	4,20	1,80	4827	1976	6803	3173	8024	11197	0,82	0,16	1,94	4,50	4,79	7,37	1,02	0,99	14,53	15,90
	4,50	1,95	4832	2029	6861	3168	7971	11139	0,82	0,16	1,94	4,95	5,28	7,82	1,02	0,99	15,31	16,69
	4,70	2,05	4786	1996	6781	3214	8004	11219	0,82	0,16	1,94	5,24	5,58	8,12	1,02	0,99	15,83	17,22
SPACE CAB	4,90	2,15	4784	2019	6804	3216	7981	11196	0,82	0,16	1,94	5,54	5,89	8,42	1,02	0,99	16,35	17,75
	5,10	2,30	4779	2044	6823	3221	7956	11177	0,82	0,16	1,94	5,85	6,21	8,77	1,02	0,99	16,87	18,28
	5,40	2,40	4828	2139	6968	3172	7861	11032	0,82	0,16	1,94	6,32	6,70	9,17	1,02	0,99	17,66	19,07
	5,70	2,65	4837	2195	7032	3163	7805	10968	0,82	0,16	1,94	6,77	7,19	9,72	1,02	0,99	18,44	19,86
	4,00	1,70	4938	1946	6884	3062	8054	11116	0,82	0,16	2,62	4,24	4,53	7,07	1,02	0,99	14,01	15,37
	4,20	1,80	4936	1977	6914	3064	8023	11086	0,82	0,16	2,62	4,55	4,85	7,37	1,02	0,99	14,53	15,90
SPACE CAB	4,50	1,95	4942	2030	6972	3058	7970	11028	0,82	0,16	2,62	5,02	5,33	7,82	1,02	0,99	15,31	16,69
	4,70	2,05	4895	1997	6892	3105	8003	11108	0,82	0,16	2,62	5,30	5,64	8,12	1,02	0,99	15,83	17,22
	4,90	2,15	4894	2021	6915	3106	7979	11085	0,82	0,16	2,62	5,60	5,95	8,42	1,02	0,99	16,35	17,75
	5,10	2,30	4889	2045	6933	3111	7955	11067	0,82	0,16	2,62	5,91	6,27	8,77	1,02	0,99	16,87	18,28
	5,40	2,40	4938	2140	7078	3062	7860	10922	0,82	0,16	2,62	6,38	6,77	9,17	1,02	0,99	17,66	19,07
	5,70	2,65	4947	2196	7143	3053	7804	10857	0,82	0,16	2,62	6,85	7,26	9,72	1,02	0,99	18,44	19,86

OTHER DIMENSIONS VA: 1,37 HV¹³⁾: 1,03 HV¹⁴⁾: 0,95 RB: 0,79 SB: 1,82 TB¹⁵⁾: 2,48

- GVM in conformity with registration documents.
- GCM in conformity with registration documents.
- Axle load with standard tyre size.
- Chassis and cab weight calculated with: Standard specification items only with 340 litres of fuel, 45 litres of AdBlue® and driver of 80 kg, tolerance ± 3%. Changing of the specification can have major impact on vehicle weight.
- Other AE dimensions may be available for shown WB. Modify rear overhang to the calculated body length.
- CB is based on standard air intake and/or exhaust.
- Cab height is measured from frame member to closed cabin roof hatch.

- Calculate customer specific body length with TOPEC. Body lengths shown based on evenly distributed load at max axle load.
- Unladen height at centre of driven axle(s).
- Laden height at centre of driven axle(s).
- TK = turning circle between kerbs.
- TW = turning circle between walls.
- Unladen height at centre of front axle(s).
- Laden height at centre of front axle(s).
- TB is overall width at rear. (At lower cab step 255).

Depending on the vehicle configuration a specific option may not be possible. The availability and specification of this vehicle may differ per country. For further information please contact the DAF organisation. Pictures and technical illustrations are not binding in detail and can differ from the standard specification. Subject to modification without prior notice.