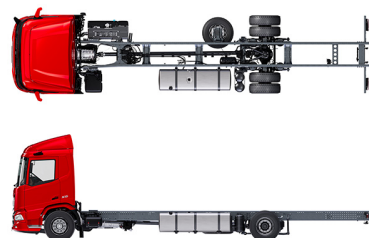


# Specification sheet

## XD 230

FA 4X2 Rigid, 19t



### ENGINES

XD NewGen 230 PX-7 (167 kW / 227 hp)
XD NewGen 260 PX-7 (189 kW / 257 hp)
XD NewGen 290 PX-7 (212 kW / 287 hp)
XD NewGen 310 PX-7 (227 kW / 308 hp)

### GVM<sup>1)</sup>

18000 kg
Max. front 8000 kg
Max. rear 11500 kg

### GCM<sup>2)</sup>

19000 kg

## CAB EXTERIOR

Luxurious Day Cab with unrivalled aerodynamics for fuel efficient driving and low CO2 emissions. The huge and deep frontscreen, curved at the sides combined with large side windows offer an unsurpassed direct view for the driver, to enhance road safety. Cab length: 2030 mm; cab width: 2500 mm. Number of cab entrance steps: 2.; Cab suspension mechanical; LED head lights; DAF Corner View.

### Optional

<b>07018</b> Sleeper Cab	<b>01925</b> Two LED work lamps for cab rear wall
<b>06244</b> Sleeper High Cab	<b>01891</b> Hazard beacons on cab front, prepared
<b>01226</b> Cab suspension air	<b>06629</b> Two hazard beacon lights
<b>03358</b> External sun visor	<b>03232</b> Front windscreen with solar control foil
<b>03922</b> Fog lights front	<b>03317</b> Rear window: double glass
<b>00936</b> Auxiliary LED lights on cab roof, prepared	<b>07343</b> Kerb view window co-driver door
<b>01836</b> LED Skylights	<b>01362</b> DAF Digital Vision System
<b>00949</b> LED Skylights; aux. LED lights on cab rf, prepared	

## AERODYNAMICS

### Optional

<b>00008</b> Adj. roof air deflector short Sleeper High Cab	<b>00082</b> Adj. roof air deflector for Day Cab
<b>00124</b> Adj. rf air defl.long mid >4m(!) Sleeper High Cab	<b>00097</b> Adj. roof air deflector for Sleeper Cab
<b>01538</b> Adj. roof air defl. long high >4m(!) Sleeper High	<b>00020</b> Adj. roof air deflector long low Sleeper High Cab
<b>02662</b> Adj. roof air defl. long mid XD Sleeper High Cab	

## COLOURS

Cab colour E1980 Crystal White; Chassis colour grey.; Colour of bumper: Crystal White.

## CAB INTERIOR

Cab interior trim colour: Luxury; Dashboard finish: Vision; Cab interior decoration: Hexagon; Driver seat: Comfort Air; Co-driver seat: cinema with fabric cover; No dashboard table; Storage compartment in centre; Automatic Temperature Control and airco; No auxiliary cab heater.

### Optional

<b>02354</b> Steering wheel with silver accents	<b>02117</b> Third seat
<b>02355</b> Steering wheel, leather	<b>02837</b> Dashboard table
<b>02353</b> Cab interior decoration: Argenta	<b>03948</b> Single drawer
<b>02350</b> Cab interior decoration: Natura	<b>03954</b> Refrigerator
<b>07733</b> Driver seat: Luxury Air	<b>02838</b> Foam mattress for lower bunk
<b>07736</b> Driver seat: Super Air	<b>02854</b> Xtra Comfort mattress for lower bunk
<b>07737</b> Driver seat: Xtra Leather Air	<b>01775</b> Xtra Comfort mattress with topper for lower bunk
<b>01740</b> Arm rest at both sides of the driver seat	<b>06970</b> Automatic Cab Climate Control

## COMMUNICATION AND DRIVING MANAGEMENT

PACCAR Connect; Tachograph digital, Stoneridge 1C version G2V2; Speed limiter setting 85 km/h; DAF Infotainment Luxury with Luxury speakers; Adaptive Cruise Control with FCW and AEBS-3; Driver Performance Assistant.

### Optional

<b>09681</b> Preparation for Maut	<b>00272</b> DAF infot. Exclusive prepared; Exclusive speakers
<b>01171</b> DAF Infotainment System: DAB radio with speakers	<b>01923</b> DAF Infotainment Luxury Plus; Exclusive speakers
<b>01156</b> DAF Infotainment System: DAB radio+Luxury speakers	<b>06211</b> DAF Infotainment System with FM/DAB/DAB+ radio
<b>00146</b> DAF Infot. Exclusive prepared; Luxury speakers	<b>03470</b> DAF Infotainment System: Exclusive, prepared
<b>01916</b> DAF Infotainment Luxury Plus with Luxury speakers	<b>01915</b> DAF Infotainment System: Luxury Plus
<b>01158</b> DAF Infotainment Luxury with Exclusive speakers	

## SAFETY AND SECURITY

Speed limit recognition; DAF drowsiness detection; Lane Departure Warning System; Vehicle Stability Control (VSC); Basic engine immobiliser system; No EC-ADR packages; Drive-off Assist; DAF Side & Turn Assist.

### Optional

<b>08631</b> Air bag (driver) and 2 seat belt tensioners	<b>01929</b> No Drive-off Assist
<b>02567</b> No Traffic Sign Assist	<b>01952</b> No DAF Side/Turn Assist
<b>02569</b> No Driver State Monitoring	

## SUSPENSION AND AXLES

Front: 8.00 t, parabolic, 163N; Rear axle load 13.00 t; Rear: air suspension, SR1344; No lifting device.

### Optional

<b>04647</b> Front springs air
--------------------------------

## WHEELS AND TYRES

Driven rear axle(s): 315/70R22.5; Tyre pressure monitoring; F1,315/70R22.5GO FMXSE 156/150 L Steering BBA 3P; R1,315/70R22.5GO FMXDE 154/150 L Traction BBA 3P.

### Optional

<b>16152</b> Tyre makes and types
-----------------------------------

## DRIVELINE

Engine PX-7, 6 cylinder diesel engine, 6.7 litres. Output 167 kW (227 hp) at 1900 rpm. Max. torque 890 Nm at 1000-1700 rpm.; Exhaust emission Euro 6; 8-speed PowerLine 8AP1000 overdrive, 4.89-0.64; Gearbox ratio 4.89-0.64; Rear axle ratio 5.57.

## BRAKE SYSTEM

Exhaust brake; Ventilated disc brakes front and rear. Dual circuit air system with electronic control (EBS).Engine driven, water cooled aire compressor with automatic air heated dryer.

### Optional

<b>02861</b> PX Engine Brake	<b>04901</b> Spring brake cylinders on the first front axle
<b>01497</b> Park brake control pneumatic with spoken warning	

## CHASSIS

Wheelbase 4.00 m / rear overhang 1.70 m; Side member height 260 mm; Standard component location; 340 l alu fuel tank LH, height 620 mm; Tank for AdBlue® 30 l, right-hand side chassis; Spray suppression.

### Optional

- 02601 Side member height 310 mm  
07071 Spare wheel carrier right-hand side  
16157 Fuel tanks, material and sizes  
03323 Rear light with LEDs

## DRAWBAR AND TRAILER EQUIPMENT

Closing member D-value = 0kN.

### Optional

- 08026 Trailer coupling Rockinger D=13.0  
04659 Trailer cable EBS

## BODIES AND PREPARATIONS FOR BODYING

Application connector chassis.

### Optional

- 09421 Additional spare wiring  
08121 Tail lift application

## POWER TAKE-OFF (PTO)

### Optional

- 16148 PTO types and positions

## 24V POWER SUPPLY

Alternator 80 A, batteries 2x 140 Ah..

### Optional

- 01897 Alternator 100 A  
08797 Batteries 2x175Ah  
07671 Batteries 2x210Ah AGM C-type

## GVM AND GCM

Chassis weight related technical GVM max 19000 kg; Driveline related max GCM 19000 kg.

## APPLICATION CONDITIONS

Air intake front.

### Optional

- 02260 Extra cab insulation  
03648 Cyclonic air intake high

## SERVICE AND MAINTENANCE

Standard Warranty takes care of 1 year complete vehicle as supplied by the OEM (excl. real wear parts), 2nd year driveline and 1st year breakdown.; ITS service.

## VEHICLE DELIVERY

Minimum toolkit.

### Optional

- 07569 Lifting jack

## OPTION PACKAGES

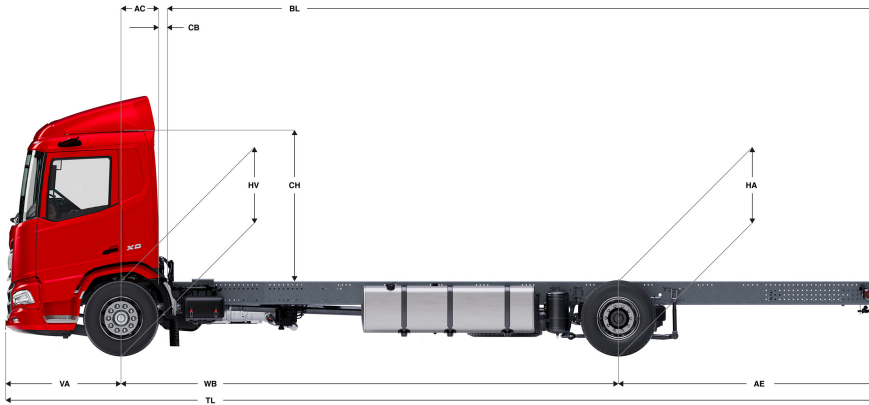
### Optional

- 17595 Executive Pack XD/XF

Go to [DAF.com](https://www.daf.com) to configure your own perfect DAF.

# XD 230

FA 4X2 Rigid, 19t



	Wheelbase - AE		Unladen weight <sup>1)</sup>			Gross Carrying Capacity			Variable dimensions									
	WB	AE <sup>5)</sup>	Front	Rear	Total	Front	Rear	Total	AC	CB <sup>6)</sup>	CH <sup>7)</sup>	BL <sup>8)</sup>	BL	TL	HA <sup>9)</sup>	HA <sup>10)</sup>	TK <sup>11)</sup>	TW <sup>12)</sup>
DAY CAB	4,00	1,70	3934	1712	5646	4066	9788	12354	0,50	0,07	2,06	4,43	5,62	7,23	0,97	0,94	14,02	15,41
	4,20	1,80	3929	1731	5660	4071	9769	12340	0,50	0,07	2,06	4,71	5,95	7,53	0,97	0,94	14,53	15,94
	4,50	1,95	3924	1776	5700	4076	9724	12300	0,50	0,07	2,06	5,11	6,45	7,98	0,97	0,94	15,31	16,73
	4,70	2,05	3921	1794	5715	4079	9706	12285	0,50	0,07	2,06	5,38	6,78	8,28	0,97	0,94	15,83	17,26
	4,90	2,35	3912	1826	5738	4088	9674	12262	0,50	0,07	2,06	5,64	7,11	8,78	0,97	0,94	16,35	17,79
	5,10	2,75	3964	1969	5934	4036	9531	12066	0,50	0,07	2,06	5,92	7,46	9,38	0,97	0,94	16,87	18,32
	5,40	2,65	3983	1982	5964	4017	9518	12036	0,50	0,07	2,06	6,33	7,98	9,58	0,97	0,94	17,66	19,11
	5,70	2,65	3991	1998	5989	4009	9502	12011	0,50	0,07	2,06	6,76	8,49	9,88	0,97	0,94	18,44	19,90
	6,10	2,80	4023	2067	6090	3977	9433	11910	0,50	0,07	2,06	7,30	9,19	10,43	0,97	0,94	19,49	20,96
6,60	3,45	3951	2052	6003	4049	9448	11997	0,50	0,07	2,01	7,95	9,96	11,58	1,02	0,99	20,80	22,28	
6,90	3,50	3956	2066	6022	4044	9434	11978	0,50	0,07	2,01	8,36	10,47	11,93	1,02	0,99	21,59	23,08	
SLEEPER CAB	4,00	1,70	4032	1719	5750	3968	9781	12250	0,83	0,07	2,06	3,81	5,01	7,23	0,97	0,94	14,02	15,41
	4,20	1,80	4027	1738	5765	3973	9762	12235	0,83	0,07	2,06	4,08	5,34	7,53	0,97	0,94	14,53	15,94
	4,50	1,95	4023	1783	5805	3977	9717	12195	0,83	0,07	2,06	4,49	5,84	7,98	0,97	0,94	15,31	16,73
	4,70	2,05	4020	1800	5820	3980	9700	12180	0,83	0,07	2,06	4,77	6,18	8,28	0,97	0,94	15,83	17,26
	4,90	2,35	4011	1832	5843	3989	9668	12157	0,83	0,07	2,06	5,03	6,51	8,78	0,97	0,94	16,35	17,79
	5,10	2,75	4064	1975	6038	3936	9525	11962	0,83	0,07	2,06	5,32	6,87	9,38	0,97	0,94	16,87	18,31
	5,40	2,65	4083	1987	6069	3917	9513	11931	0,83	0,07	2,06	5,74	7,39	9,58	0,97	0,94	17,66	19,11
	5,70	2,65	4091	2003	6094	3909	9497	11906	0,83	0,07	2,06	6,16	7,90	9,88	0,97	0,94	18,44	19,90
	6,10	2,80	4124	2071	6195	3876	9429	11805	0,83	0,07	2,06	6,71	8,60	10,43	0,97	0,94	19,49	20,96
6,60	3,45	4052	2056	6108	3948	9444	11892	0,83	0,07	2,01	7,36	9,40	11,58	1,02	0,99	20,80	22,28	
6,90	3,50	4057	2070	6127	3943	9430	11873	0,83	0,07	2,01	7,78	9,91	11,93	1,02	0,99	21,59	23,08	
SLEEPER HIGH CAB	4,00	1,70	4061	1719	5780	3939	9781	12220	0,83	0,07	2,54	3,82	5,03	7,23	0,97	0,94	14,02	15,41
	4,20	1,80	4057	1738	5795	3943	9762	12205	0,83	0,07	2,54	4,09	5,36	7,53	0,97	0,94	14,53	15,94
	4,50	1,95	4052	1783	5835	3948	9717	12165	0,83	0,07	2,54	4,51	5,87	7,98	0,97	0,94	15,31	16,73
	4,70	2,05	4049	1800	5849	3951	9700	12151	0,83	0,07	2,54	4,78	6,20	8,28	0,97	0,94	15,83	17,26
	4,90	2,35	4040	1832	5873	3960	9668	12127	0,83	0,07	2,54	5,05	6,53	8,78	0,97	0,94	16,35	17,79
	5,10	2,75	4093	1975	6068	3907	9525	11932	0,83	0,07	2,54	5,33	6,89	9,38	0,97	0,94	16,87	18,31
	5,40	2,65	4112	1987	6099	3888	9513	11901	0,83	0,07	2,54	5,75	7,41	9,58	0,97	0,94	17,66	19,11
	5,70	2,65	4120	2003	6123	3880	9497	11877	0,83	0,07	2,54	6,17	7,93	9,88	0,97	0,94	18,44	19,90
	6,10	2,80	4153	2072	6225	3847	9428	11775	0,83	0,07	2,54	6,73	8,63	10,43	0,97	0,94	19,49	20,96
6,60	3,45	4081	2056	6138	3919	9444	11862	0,83	0,07	2,49	7,38	9,42	11,58	1,02	0,99	20,80	22,28	
6,90	3,50	4087	2070	6157	3913	9430	11843	0,83	0,07	2,49	7,80	9,93	11,93	1,02	0,99	21,59	23,08	

OTHER DIMENSIONS VA: 1,53 HV<sup>13)</sup>: 0,99 HV<sup>14)</sup>: 0,92 RB: 0,79 SB: 1,82 TB<sup>15)</sup>: 2,48

- 1) GVM in conformity with registration documents.
- 2) GCM in conformity with registration documents.
- 3) Axle load with standard tyre size.
- 4) Chassis and cab weight calculated with: Standard specification items only with 340 litres of fuel, 30 litres of AdBlue® and driver of 90 kg, tolerance ± 3%. Changing of the specification can have major impact on vehicle weight.
- 5) Other AE dimensions may be available for shown WB. Modify rear overhang to the calculated body length.
- 6) CB is based on standard air intake and/or exhaust.
- 7) Cab height is measured from frame member to closed cabin roof hatch.
- 8) Calculate customer specific body length with TOPEC. Body lengths shown based on evenly distributed load at max axle load.
- 9) Unladen height at centre of driven axle(s).
- 10) Laden height at centre of driven axle(s).
- 11) TK = turning circle between kerbs.
- 12) TW = turning circle between walls.
- 13) Unladen height at centre of front axle(s).
- 14) Laden height at centre of front axle(s).
- 15) TB is overall width at rear. (At centre of front axle 255).

Depending on the vehicle configuration a specific option may not be possible. The availability and specification of this vehicle may differ per country. For further information please contact the DAF organisation. Pictures and technical illustrations are not binding in detail and can differ from the standard specification. Subject to modification without prior notice.